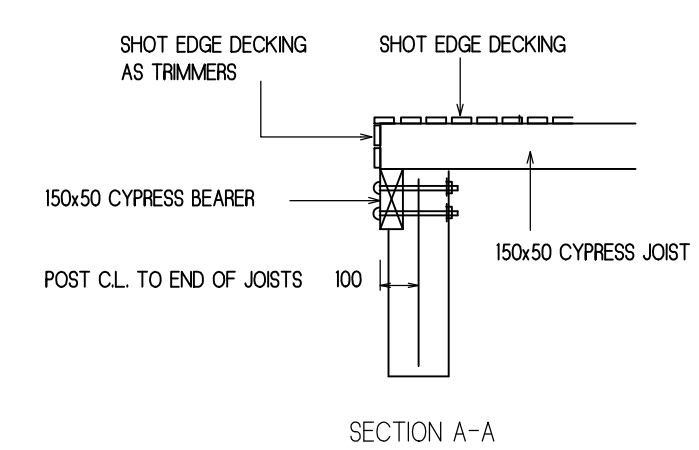
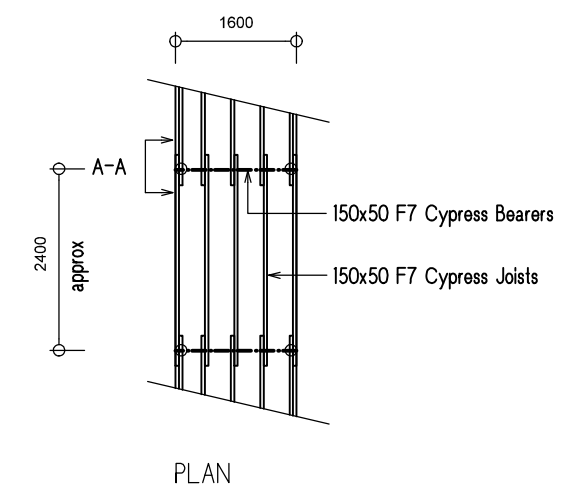
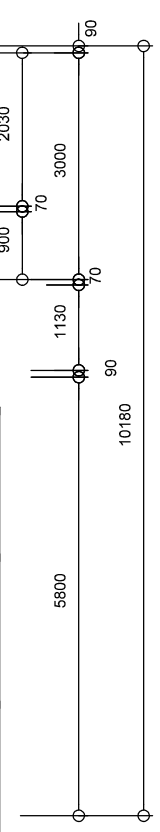


GYMNASIUM & POOL ROOM FLOOR PLAN
 TOTAL FLOOR AREA 82.8m²



TYPICAL WALKWAY FRAMING

AUSSIE HOUSES GROUP
 SUPPLIERS OF
 MODULAR TIMBER HOUSE PACKAGES

THESE PLANS AND DESIGN ARE THE COPYRIGHT OF
AUSSIE HOUSES PTY. LTD.
 A.C.N. 067 039 972
 NOTE: WHERE DRAWING AND SPECIFICATION DIFFER
 SPECIFICATION TAKES PRECEDENCE OVER DRAWING

CLIENT C. & R. MIDDLEBROOK
 SITE ADDRESS 122-A BROADWATER ESPLANADE
 BILAMBIL HEIGHTS NSW 2486
 TWEED SHIRE COUNCIL
 DATE OCTOBER 2005 DO NOT SCALE DRAWINGS

AUSSIE HOUSES PTY LTD.
 PHONE 07)5453 4811
 AUSSIE HOUSES TECHNICAL SERVICES

DRAWING No.
MIDDLEBROOK
 SHEET 7 SCALE 1:100

